

# UK Power Adapter

## FEATURES

- Universal input 100-240VAC
- Single Output 5-30V DC
- Output power: 30W
- Direct Euro Fixed Plugtop Adapters
- Worldwide Approvals
- Safety Protection
- EN/IEC 62368-1 Safety Approved

## UK Power Adapter



RS Professionally Approved Products bring to you professional quality parts across all product categories. Our product range has been tested by engineers and provides a comparable quality to the leading brands without paying a premium price.

## UK Power Adapter

### Product Description

RS's 15DYS830-xyW-2-RS 30W AC/DC External Adapter EURO Plugtop Power Supply (PSU) Series are certified to TUV-GS, CE, RoHS, REACH & EN 62368-1/IEC 62368-1 Standards and comply with (EU) 2019/1782, Level VI Efficiency Regulations. These are primarily used in ITE, Audio & Video Industries and customised solutions are available upon request.

### Electrical Specifications

RS Stock#	Input Voltage	Output Voltage	Output Current	Output Wattage	Efficiency (Typ)
2008942	100~240Vac	12.0Vdc	2.5A	30.0W	87.0%
2008944	100~240Vac	18.0Vdc	2.0A	30.0W	87.0%
2008943	100~240Vac	15.0Vdc	1.66A	30.0W	87.0%
2008945	100~240Vac	24.0Vdc	1.25A	30.0W	87.0%

### General Specifications

Type	Switching Mode Power Supply
Input Connector	IEC 320-C14
Output Connection	2.1x5.5x12.0mm +ve inner/centre
Number of Outputs	1
Energy Efficiency Level	VI
Mounting Style	Desktop
MTBF	50,000 hours calculated at 25°C, by Telcoria SR-332
Power Indicator	LED Indicator for power on
Cable Length	1500mm
Cable Type	16AWG/18AWG (Depending on model)
Medical Approved	No

### Mechanical Specifications

Housing Material	Fully Enclosed Plastic Case
Overall Dimensions	76.8mm x 67.5mm x 48mm
Overall Length	76.8mm
Overall Depth	67.5mm
Overall Width	48mm
Weight	200g +/-10g

Input Specifications	
Rated Input Voltage	100~240Vac ( $\pm 10\%$ )
Rated Frequency	50/60Hz
Efficiency Level VI	Level VI / Efficiency (EU) 2019/1782
Input Current	0.8A
Inrush Current	60A Max. / 230Vac (Cold Start At 25°C, Full Load)
Touch Current	Less than 100 $\mu$ A
Input Protection	Internal Primary Current Fuse
Output Specification	
Output Regulation	$\pm 24\%$
Ripple & Noise (max.)	240mVp-p Max. for Output Voltage @ Full Load
Voltage Tolerance	$\pm 5\%$
Load Regulation	$\pm 5\%$
No Load Power Consumption	<0.15W
Hold-up Time	5mS @ Full Load
Transient Response	8mS for 80% Load Change (Typical)
Number of Outputs	1
Insulation Class	I
Dielectric Strength	Primary to Secondary 4,000Vac for 1 Minutes
Isolation Resistance	10M $\Omega$ for 500Vdc
Over Circuit Protection	Auto-recovery.
Over Voltage Protection	V out * 150% MAX., latch off.
Over Current Protection	1.625A Self recovery when fault removed

### Protection Category

Means of Protection	2 X MOPP
---------------------	----------

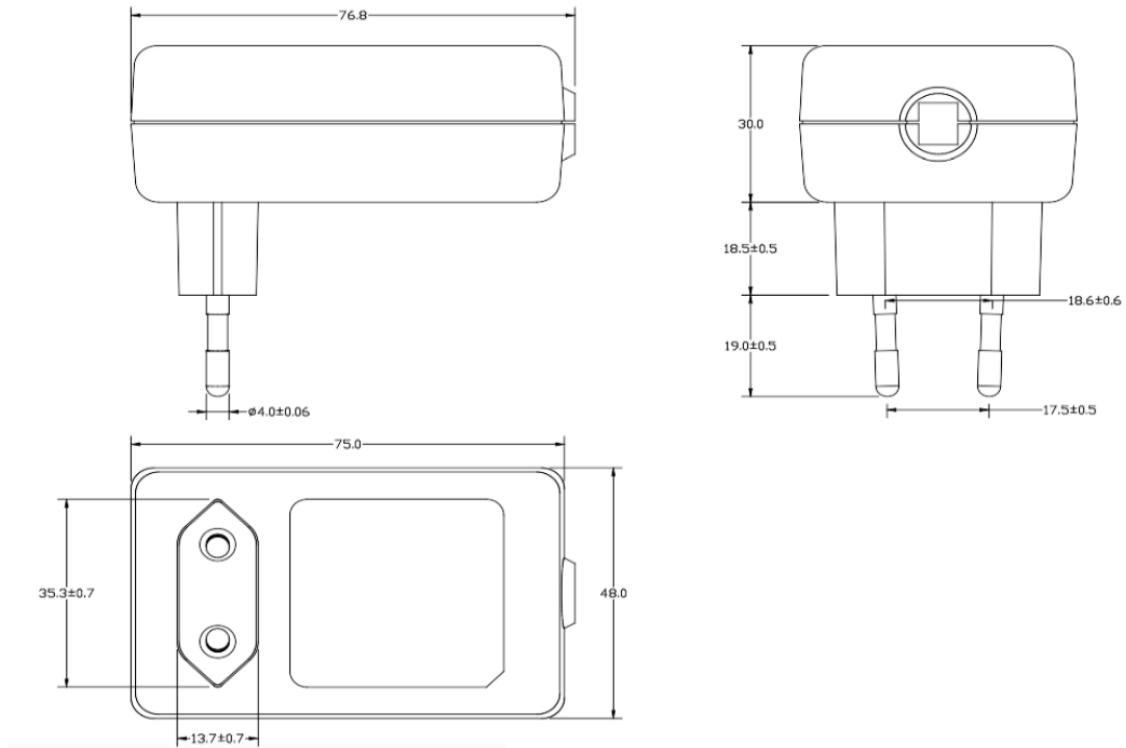
### Approvals

Compliance/Certifications	UKCA/ CE/ CB/ UL/ cUL/ TUV
Safety Standard	UL62368-1, EN 62368-1, IEC 62368-1 approved
EMC Emission	Compliance to EN 55032, EN 55035,

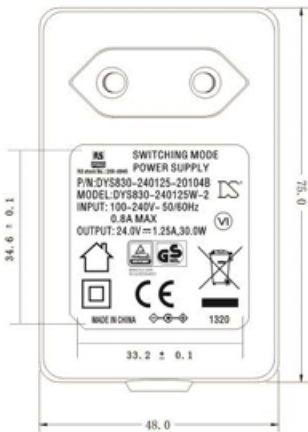
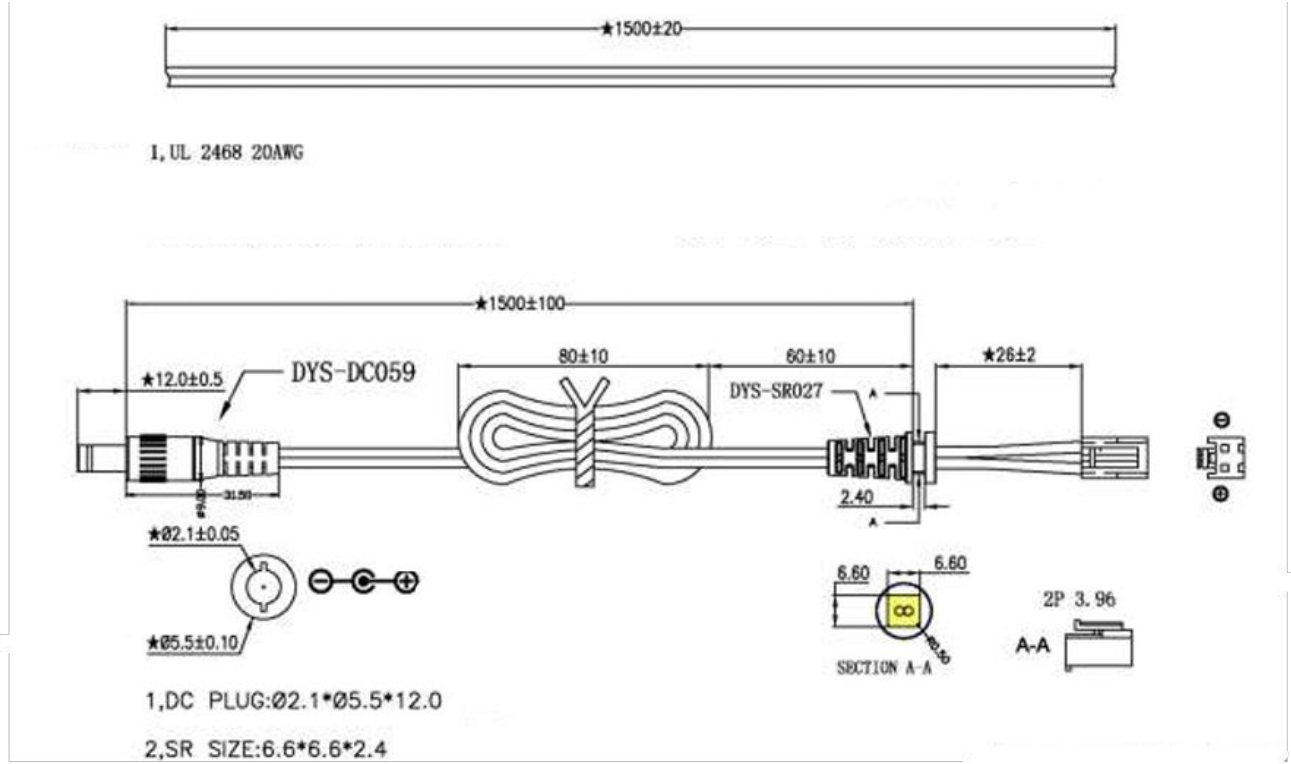
## Similar Products

Stock No.	Brand	Product Name	Attribute 1	Attribute 2	Attribute 3
XXX-XXXX	RS PRO				
XXX-XXXX	RS PRO				

## Product Images



## Cables and lables



**RS PRO** SWITCHING MODE POWER SUPPLY

RS stock No.: 200-8945

P/N: DYS830-240125-20104B

MODEL: DYS830-240125W-2

INPUT: 100-240V~ 50/60Hz

0.8A MAX

OUTPUT: 24.0V ⎓ 1.25A, 30.0W

www.tuv.com

© 02/16/04851

MADE IN CHINA

1320